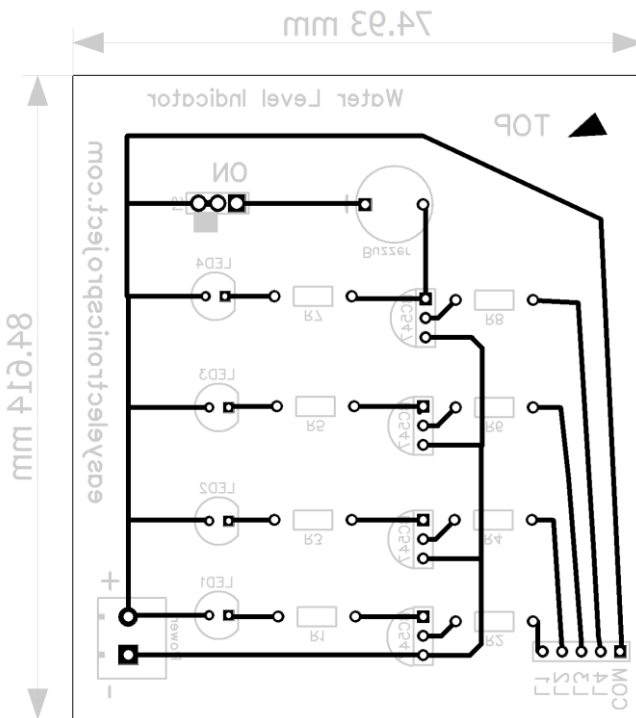
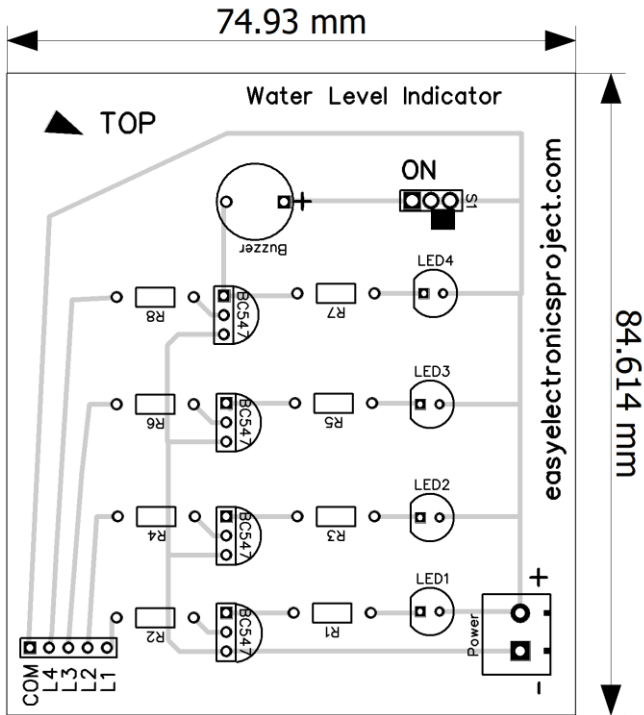


Project: Water Level Indicator with BC547



For more such project visit: <https://easyelectronicsproject.com>

Also Finds Us @

YouTube: <https://www.youtube.com/techstudycell>

Facebook: <https://www.facebook.com/techstudycell/>

Instagram: <https://www.instagram.com/techstudycell/>

Telegram: <https://t.me/techstudycell/>